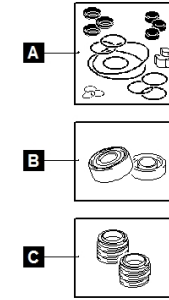
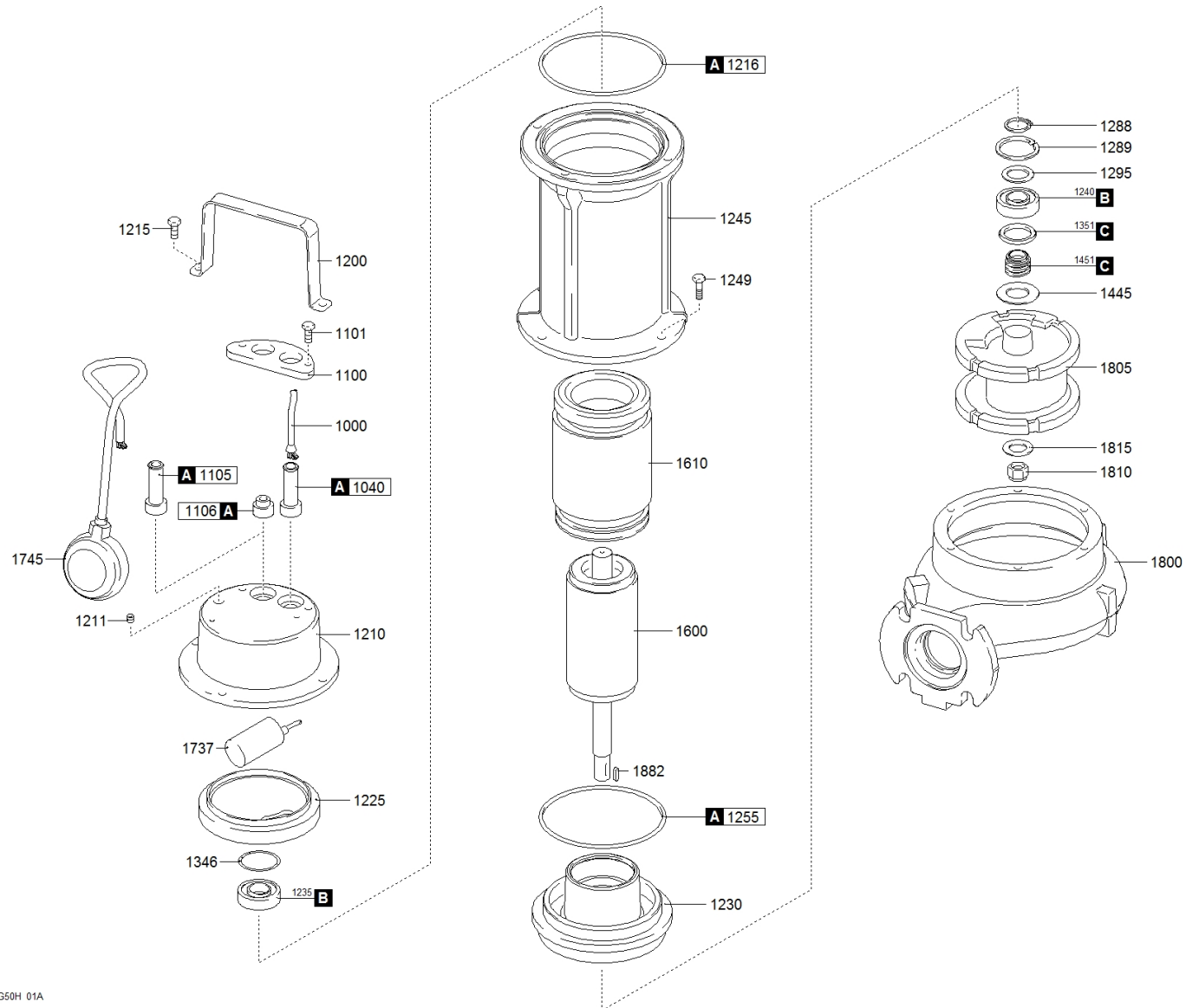


0392.009 - SME 200/2/G50H A0CT5 NGTRQ21040N00WH





water solutions



0392.009 - SME 200/2/G50H AOCT5 NGTRQ21040N00WH

		Code		Description		Q.ty	Price (€)
A		601039001		GASKETS KIT	805503	1	
C		602016071		MECHANICAL SEALS KIT		1	
B		604016001		BEARINGS KIT		1	
1000		250102404010000000		POWER CABLE		1	
1040		235672106640		RUBBER GASKET [POWER CABLE]		1	
1100		235439006610		CABLE GLAND PLATE	806112	1	
1101		270830610121200000		SCREW [CABLE GLAND PLATE >> COVER]	802089	2	
1106		235672106650		CAP [FLOAT SWITCH]	711505	1	
1200		235230801680		HANDLE		1	
1210		232110311300		COVER		1	
1211		270139510104000000		CAP [TIGHTNESS TEST]	802099	1	
1215		270830610161200000		SCREW [COVER >> MOTOR CASE]		4	
1216		271770110035000000		GASKET [COVER >> MOTOR CASE]	711361	1	
1225		230650300069		UPPER BEARING HOLDER		1	
1230		230510523296		LOWER BEARING HOLDER		1	
1235		2729062030200000		UPPER BEARING	711360 OR 802083	1	
1240		2729063050400000		LOWER BEARING	710969	1	
1245		231010520850		MOTOR CASE		1	
1249		270830610251200000		SCREW [MOTOR CASE >> PUMP BODY]		4	
1255		271770110035000000		GASKET [MOTOR CASE >> LOWER BEARING HOLDER]	711361	1	
1288		270330250100000		SEEGER [LOWER BEARING]	802101	1	
1289		270320620200000		SEEGER [INTERNAL LOWER BEARING]		1	
1295		270220250352000000		UPPER DISTANCE RING [LOWER BEARING]	802311	1	
1346		27542039100000		WAVE SPRING	802283	1	
1351		237970200520700000		LOWER LIP SEAL [LOWER BEARING]	711041	1	
1445		270561717459023089		WASHER [1st MECHANICAL SEAL]	711025	1	
1451		230000212200000000		1st MECHANICAL SEAL	711383	1	
1600		230230012022779		SHAFT WITH ROTOR		1	
1610		230801203002000000		WOUND STATOR	711327	1	
1650		2790300422785		DATAPLATE		1	
1655		273130000000		RIVET [DATAPLATE]	802085	2	
1800		21251012920122777		PUMP BODY		1	
1805		21411301000822776		IMPELLER		1	
1810		27073101910100000		LOCKING IMPELLER		1	
1815		270530808202000000		LOCKING WASHER [IMPELLER]		1	
1882		270430606016100000		KEY [IMPELLER]		1	

